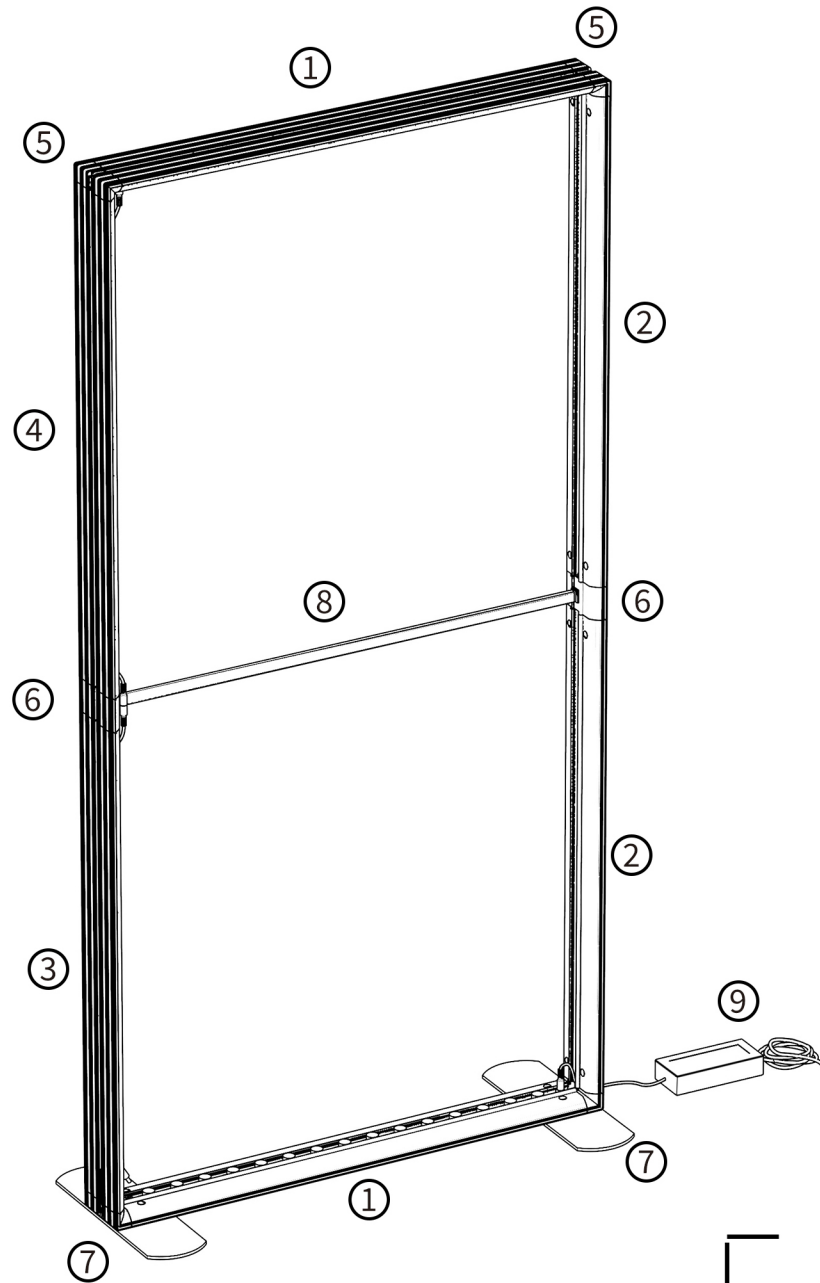
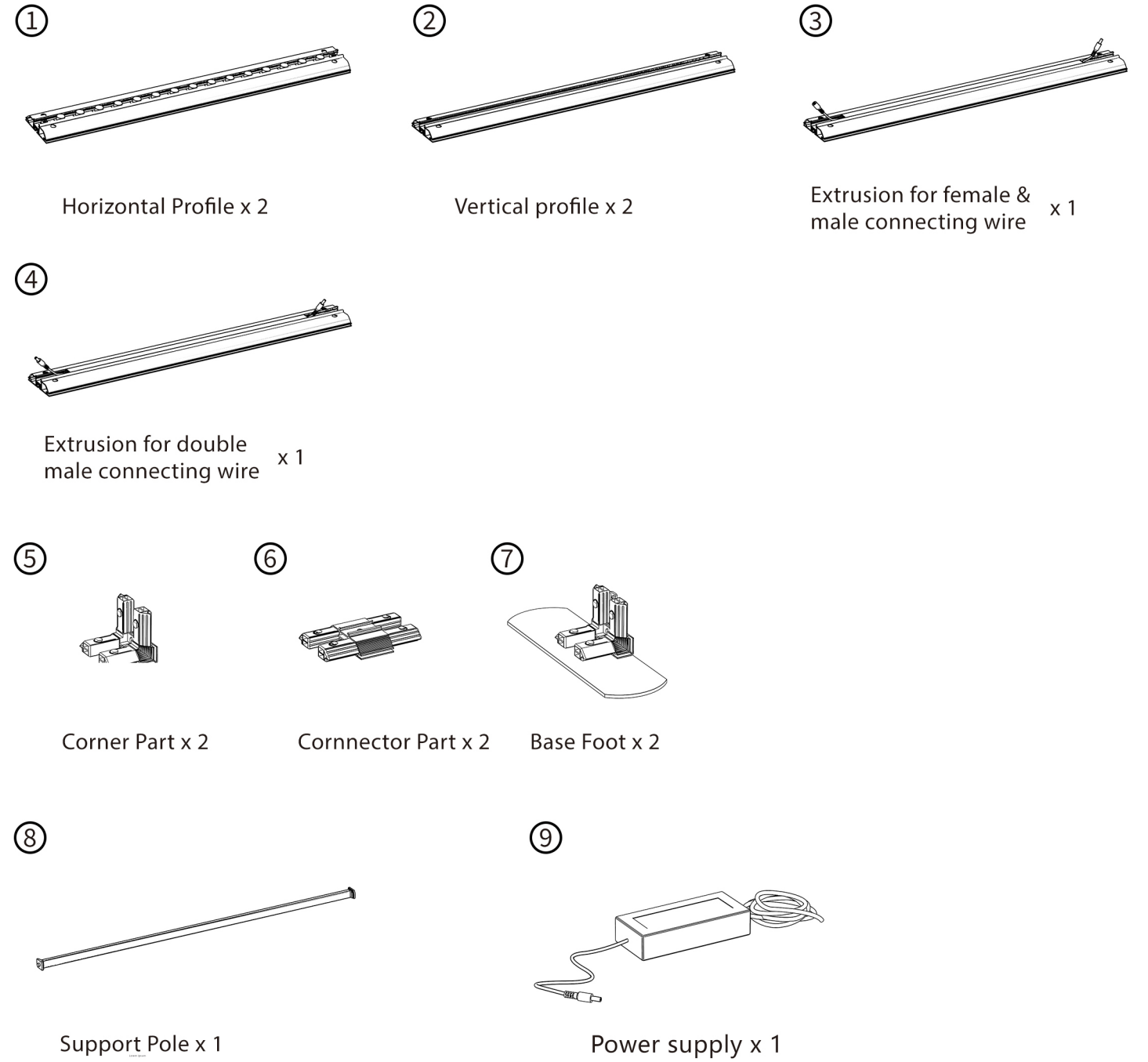


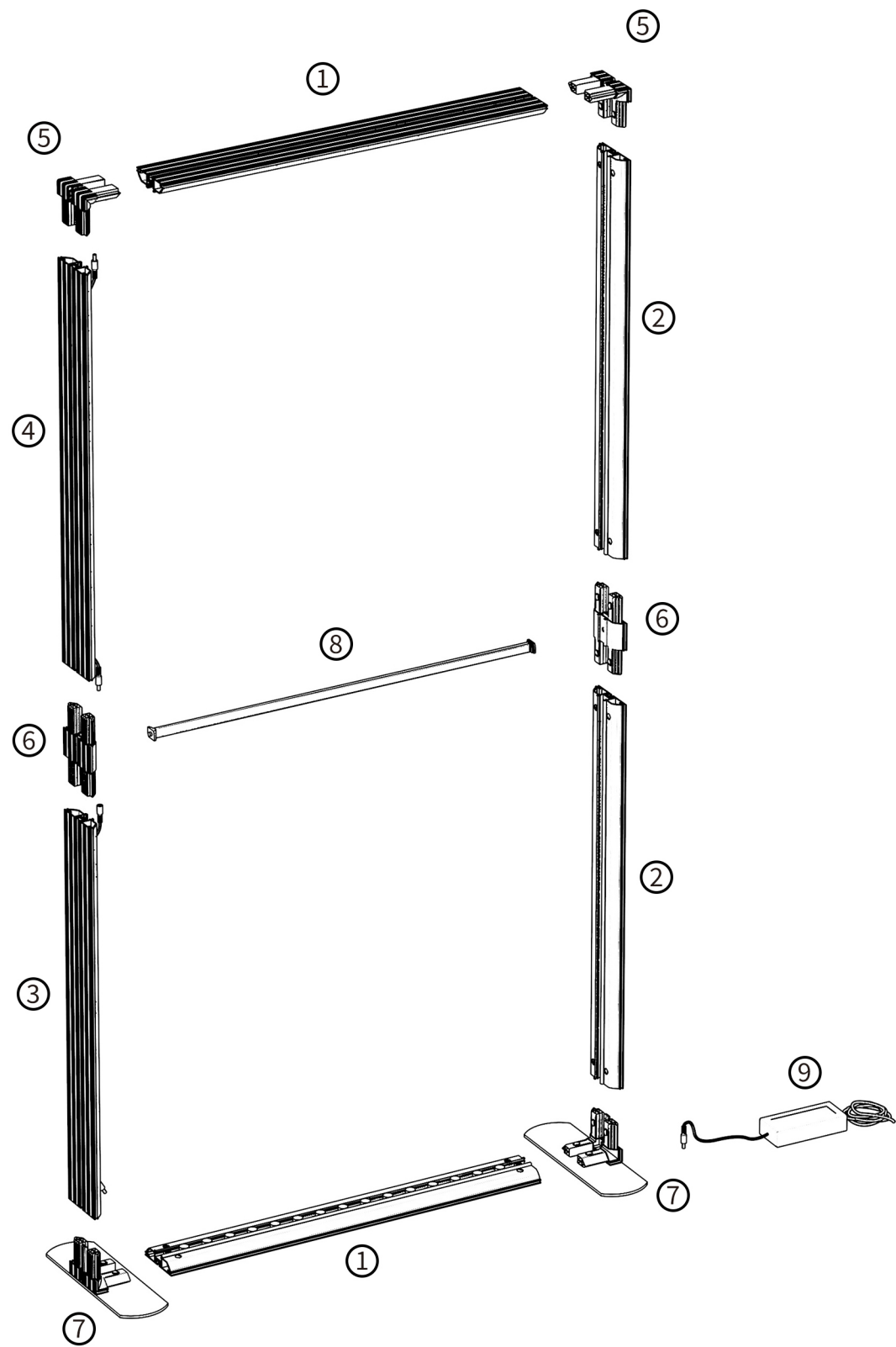
Caution : One power supply
can only drive 3pcs LED light strip most

500/850/1000X1500(1000+500)
 500/850/1000X2000(1000+1000)
 500/850/1000X2250(1250+1000)
 500/850/1000X2500(1250+1250)



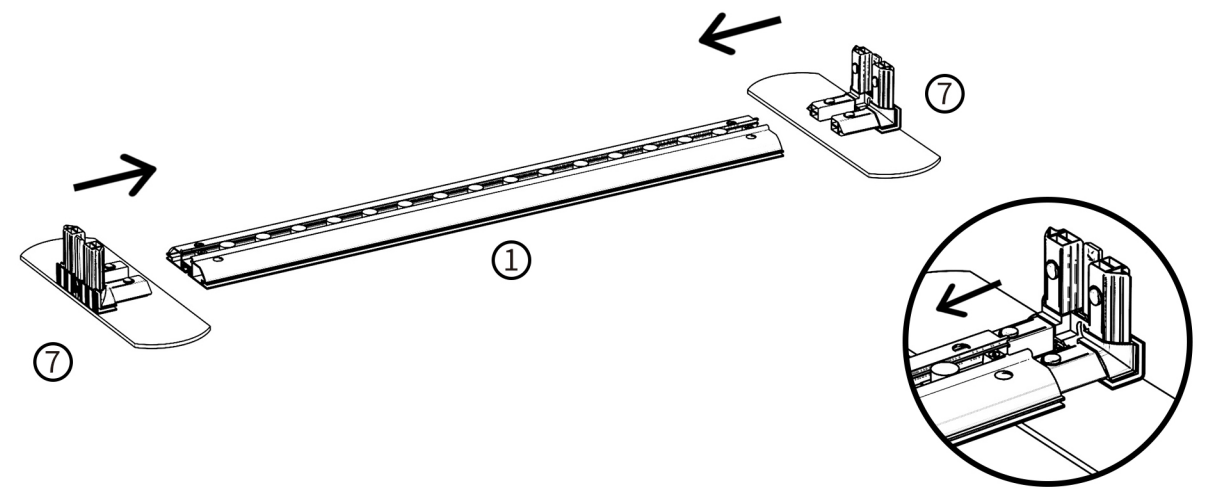
ELECTRIC
CIRCUIT LAYOUT



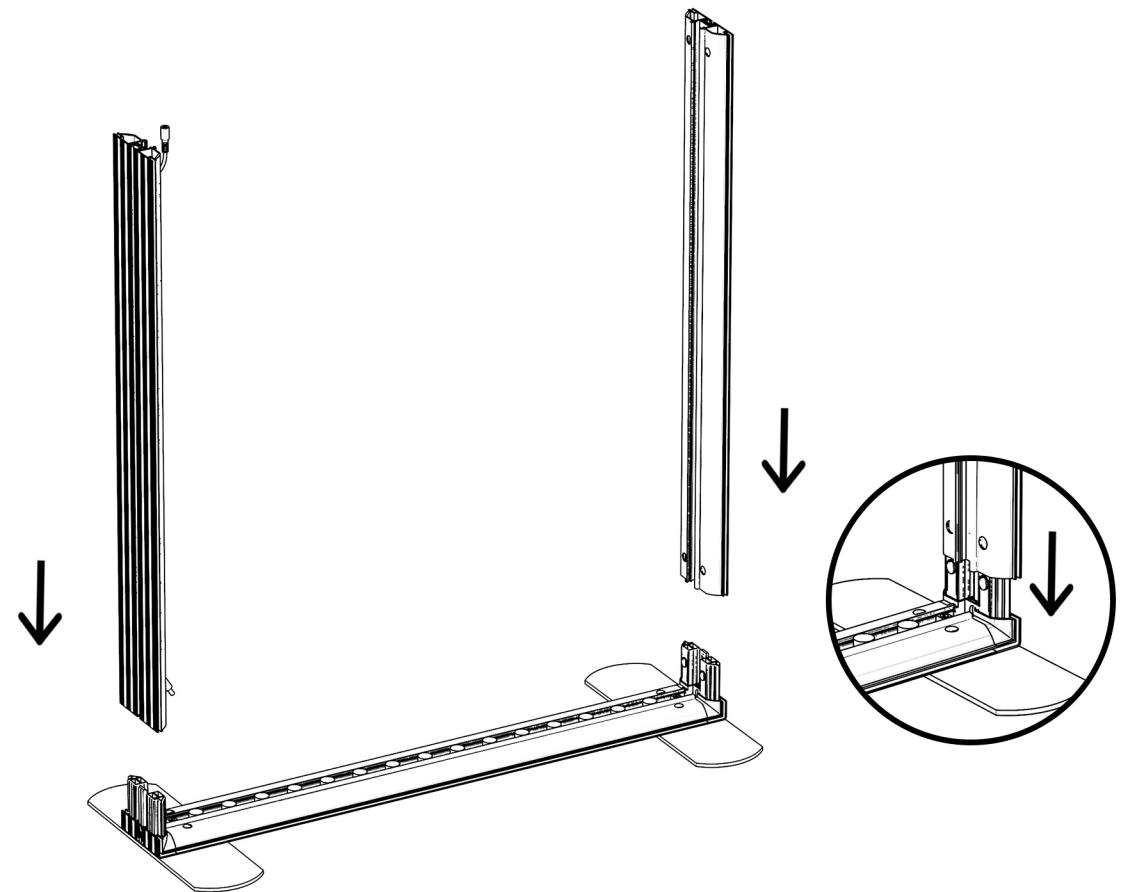


3

1

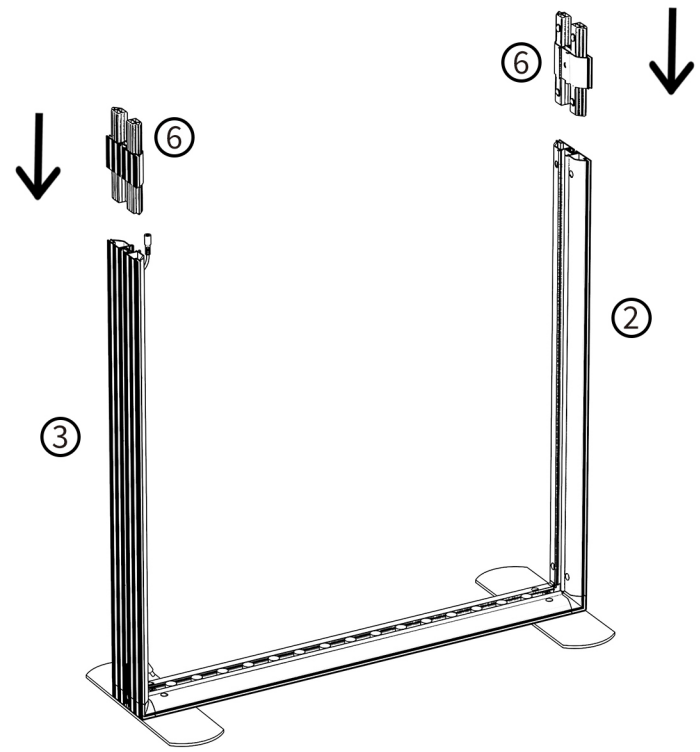


2

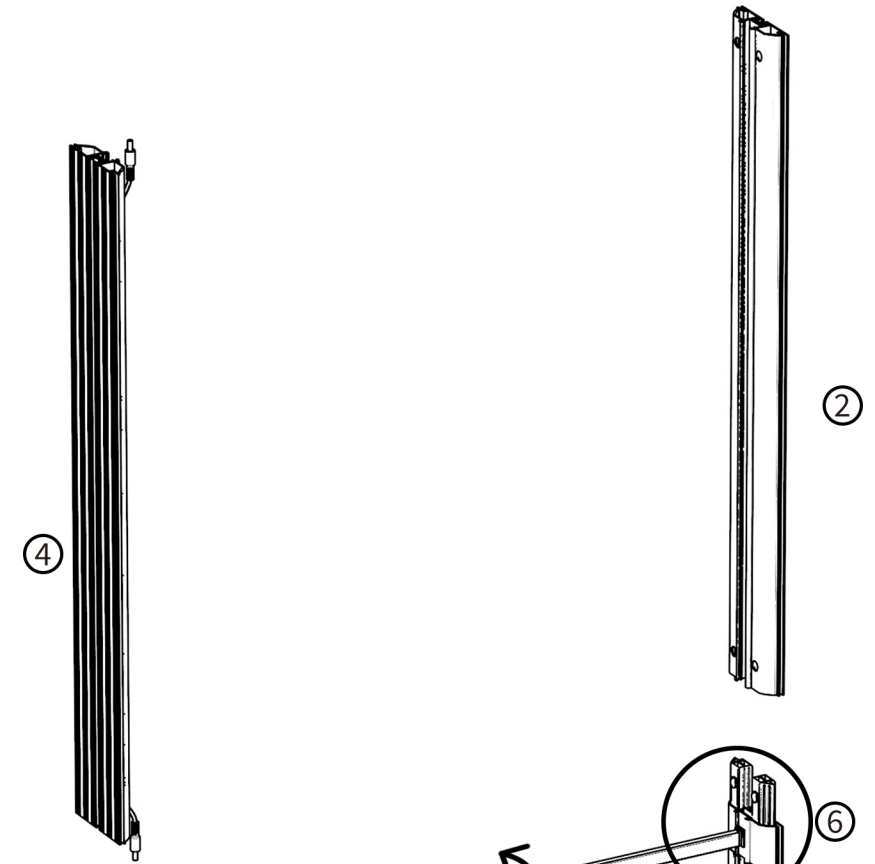


4

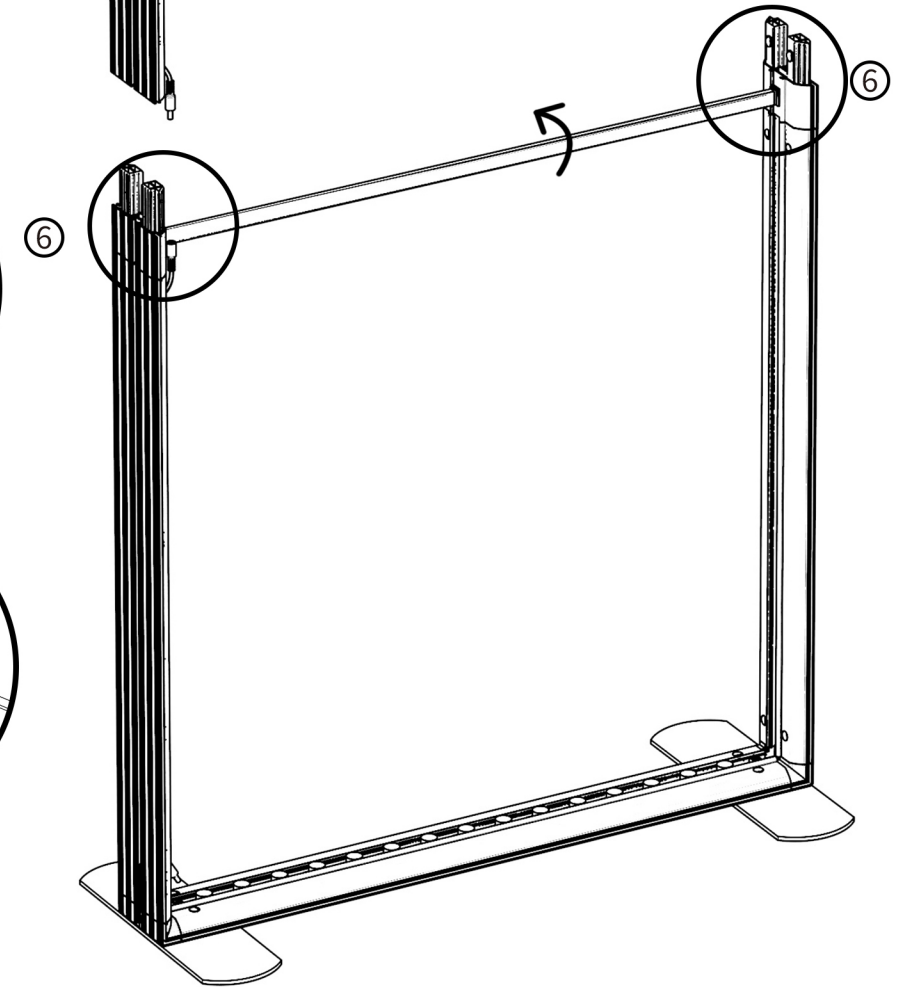
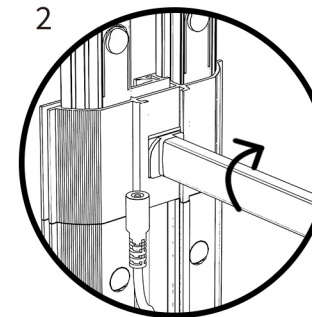
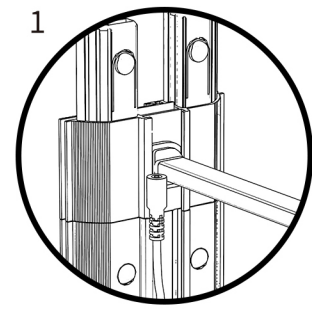
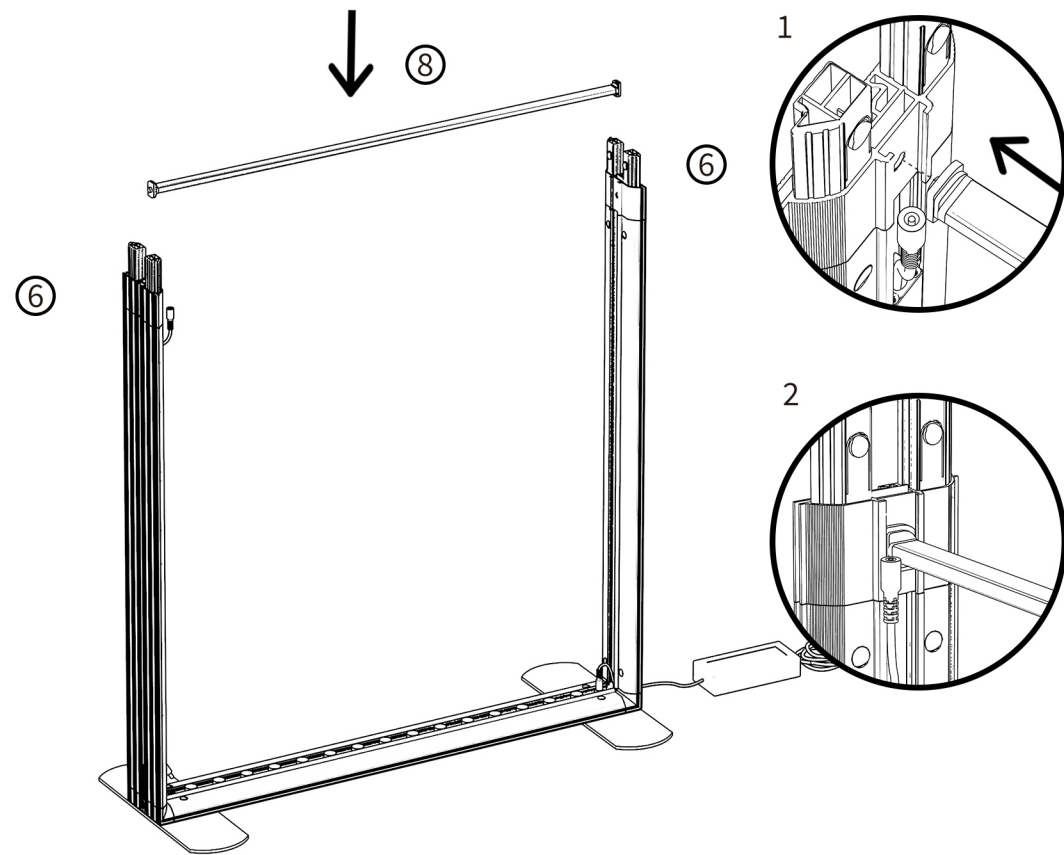
3



5



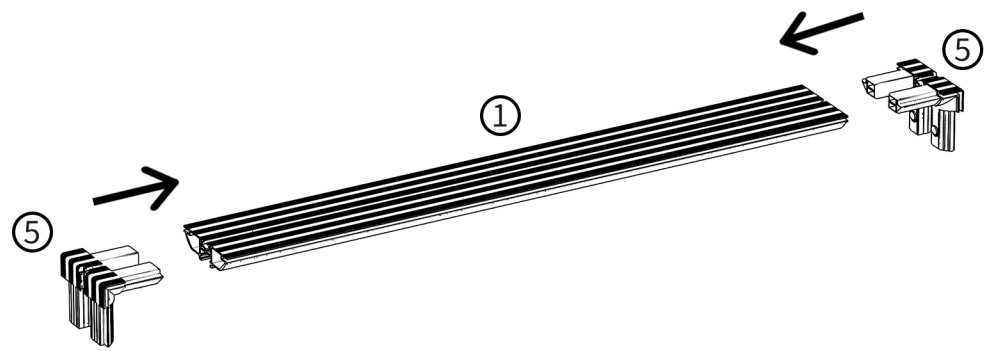
4



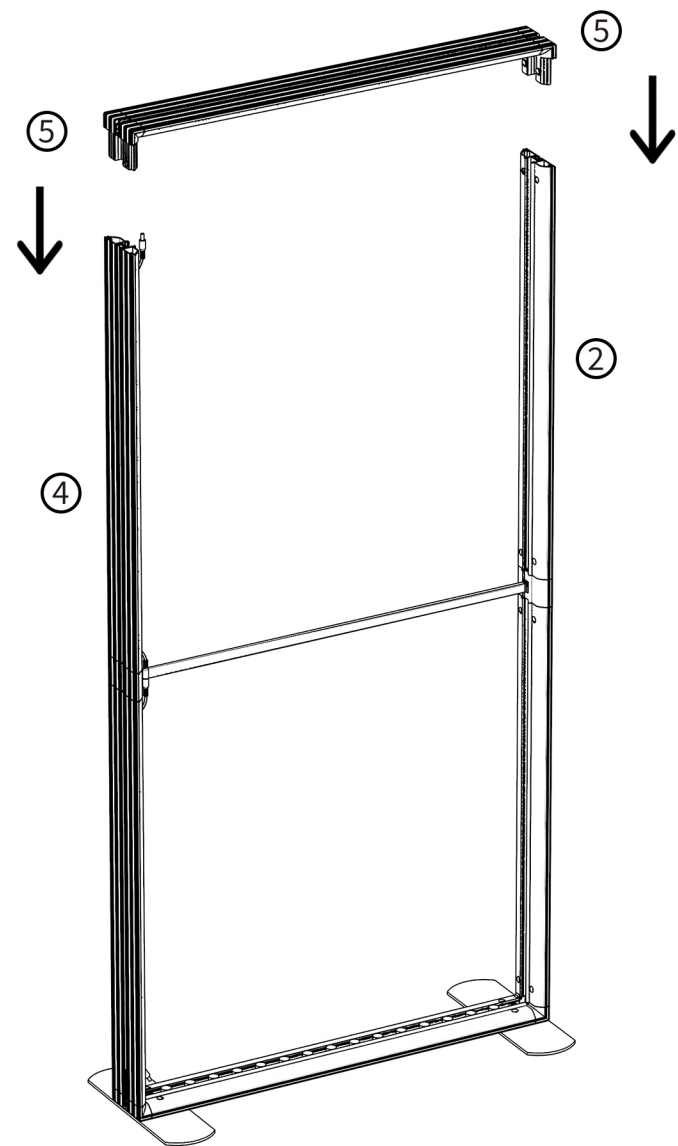
5

6

6

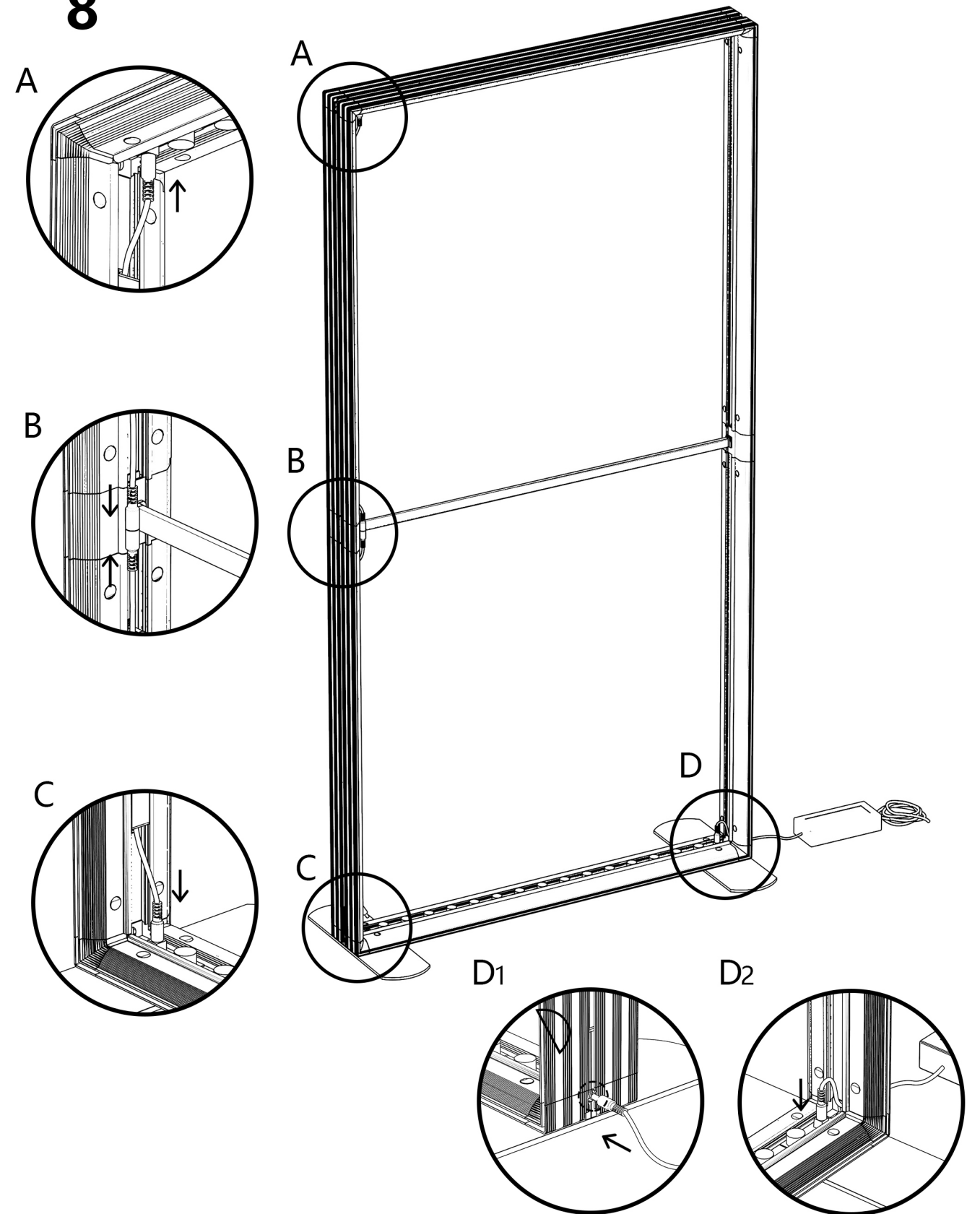


7



7

8



8

500/850/1000X2500(1000+1000+500)
500/850/1000X3000(1000+1000+1000)

